



DEPARTMENT OF REGULATORY AND ECONOMIC RESOURCES
BOARD AND CODE ADMINISTRATION DIVISION

MIAMI-DADE COUNTY
PRODUCT CONTROL SECTION
11805 SW 26 Street, Room 208
Miami, Florida 33175-2474
T (786) 315-2590 F (786) 315-2599

www.miamidade.gov/economy

NOTICE OF ACCEPTANCE (NOA)

Alumina Distribution Center
600 West 83rd Street
Hialeah, Florida 33014

SCOPE:

This NOA is being issued under the applicable rules and regulations governing the use of construction materials. The documentation submitted has been reviewed and accepted by Miami-Dade County RER-Product Control Section to be used in Miami Dade County and other areas where allowed by the Authority Having Jurisdiction (AHJ).

This NOA shall not be valid after the expiration date stated below. The Miami-Dade County Product Control Section (In Miami Dade County) and/or the AHJ (in areas other than Miami Dade County) reserve the right to have this product or material tested for quality assurance purposes. If this product or material fails to perform in the accepted manner, the manufacturer will incur the expense of such testing and the AHJ may immediately revoke, modify, or suspend the use of such product or material within their jurisdiction. RER reserves the right to revoke this acceptance, if it is determined by Miami-Dade County Product Control Section that this product or material fails to meet the requirements of the applicable building code.

This product is approved as described herein, and has been designed to comply with the High Velocity Hurricane Zone of the Florida Building Code.

DESCRIPTION: "HPMA / Performance System 2" Aluminum Accordion Shutter

APPROVAL DOCUMENT: Drawing No. AD10-29, titled "System 2 Aluminum Accordion Shutter", sheets 1 through 10 of 10, prepared by MCY Engineering, Inc., dated May 13, 2010, last revision #3 dated March 20, 2015, signed and sealed by Yiping Wang, P.E., bearing the Miami-Dade County Product Control Renewal stamp with the Notice of Acceptance number and the expiration date by the Miami-Dade County Product Control Section.

MISSILE IMPACT RATING: Large and Small Missile Impact Resistant

LABELING: Each unit shall bear a permanent label with the manufacturer's name or logo, Opa-Locka, Florida the following statement: "Miami-Dade County Product Control Approved", and NOA number, per TAS-201, TAS-202, and TAS-203, unless otherwise noted herein.

RENEWAL of this NOA shall be considered after a renewal application has been filed and there has been no change in the applicable building code negatively affecting the performance of this product.

TERMINATION of this NOA will occur after the expiration date or if there has been a revision or change in the materials, use, and/or manufacture of the product or process. Misuse of this NOA as an endorsement of any product, for sales, advertising or any other purposes shall automatically terminate this NOA. Failure to comply with any section of this NOA shall be cause for termination and removal of NOA.

ADVERTISEMENT: The NOA number preceded by the words Miami-Dade County, Florida, and followed by the expiration date may be displayed in advertising literature. If any portion of the NOA is displayed, then it shall be done in its entirety.

INSPECTION: A copy of this entire NOA shall be provided to the user by the manufacturer or its distributors and shall be available for inspection at the job site at the request of the Building Official.

This NOA renews NOA #15-0615.08 and consists of this page 1, evidence submitted pages E-1, E-2, & E-3 as well as approval document mentioned above.

The submitted documentation was reviewed by Helmy A. Makar, P.E., M.S.



Helmy A. Makar
03/31/2016

NOA No. 16-0209.15
Expiration Date: 03/24/2021
Approval Date: 03/31/2016
Page 1

Alumina Distribution Center

NOTICE OF ACCEPTANCE: EVIDENCE SUBMITTED

1. EVIDENCE SUBMITTED UNDER PREVIOUS APPROVAL # 10-0930.10

A. DRAWINGS

1. *Drawing No. AD10-29, titled " System 2 Aluminum Accordion Shutter ", sheets 1 through 10 of 10, prepared by MCY Engineering, Inc., dated May 13, 2010, last revision #1 dated September 05, 2010, signed and sealed by Yiping Wang, P.E.*

B. TESTS

1. *See Association's generic approval under 10-0710.*

C. CALCULATIONS

1. *See Association's generic approval under 10-0710.*

D. QUALITY ASSURANCE

1. *By Miami-Dade County Building and Neighborhood Compliance Department.*

E. MATERIAL CERTIFICATIONS

1. *See Association's generic approval under 10-0710.*

F. STATEMENTS

1. *Release letter issued by the Hurricane Protection Manufacturers Association, dated September 30, 2010, certifying this product to meet the criteria of product tested and approved, and allowing Alumina Distribution Center to use the test results approved under Miami Dade County Approval No. 10-0710, signed by Mr. Henry Revilla.*
2. *Acknowledgment letter by Alumina Distribution Center dated February 11, 2011, signed by Mr. Mario Callejas.*
3. *Letter by MCY Engineering, Inc., dated February 05, 2011, signed and sealed by Yipping Wang, P.E., certifying that the drawing (No. AD10-29) prepared for Alumina Distribution Center is engineering wise identical to HPMA's generic drawing (No. AD10-12).*


2. EVIDENCE SUBMITTED UNDER PREVIOUS APPROVAL # 12-0326.12

A. DRAWINGS

1. *Drawing No. AD10-29, titled " System 2 Aluminum Accordion Shutter ", sheets 1 through 10 of 10, prepared by MCY Engineering, Inc., dated May 13, 2010, last revision #2 dated March 16, 2012, signed and sealed by Yiping Wang, P.E.*

B. TESTS

1. *See Association's generic approval under 12-0736.*



Helmy A. Makar, P.E., M.S.
Product Control Section Supervisor
NOA No. 16-0209.15
Expiration Date: 03/24/2021
Approval Date: 03/31/2016

Alumina Distribution Center

NOTICE OF ACCEPTANCE: EVIDENCE SUBMITTED

C. CALCULATIONS

1. See Association's generic approval under 12-0736.

D. QUALITY ASSURANCE

1. By Miami-Dade County Department of Regulatory and Economic Resources.

E. MATERIAL CERTIFICATIONS

1. See Association's generic approval under 12-0736.

F. STATEMENTS

1. Release letter issued by the Hurricane Protection Manufacturers Association, dated July 16, 2012, certifying this product to meet the criteria of product tested and approved, and allowing Alumina Distribution Center to use the test results approved under Miami Dade County Approval No. 12-0736, signed by Mr. Henry Revilla.
2. Acknowledgment letter by Alumina Distribution Center dated July 16, 2012, signed by Mr. Mario Callejas.
3. Letter by MCY Engineering, Inc., dated March 28, 2012, signed and sealed by Yipping Wang, P.E., certifying that the drawing (No. AD10-29) prepared for Alumina Distribution Center is engineering wise identical to HPMA's generic drawing (No. AD10-12).

3. EVIDENCE SUBMITTED UNDER PREVIOUS APPROVAL # 15-0615.08

A. DRAWINGS

1. Drawing No. AD10-29, titled " System 2 Aluminum Accordion Shutter ", sheets 1 through 10 of 10, prepared by MCY Engineering, Inc., dated May 13, 2010, last revision #3 dated March 20, 2015, signed and sealed by Yiping Wang, P.E.

B. TESTS

1. See Association's generic approval under 15-0430.

C. CALCULATIONS

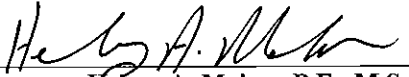
1. See Association's generic approval under 15-0430.

D. QUALITY ASSURANCE

1. By Miami-Dade County Department of Regulatory and Economic Resources.

E. MATERIAL CERTIFICATIONS

1. See Association's generic approval under 15-0430.



Helmy A. Makar, P.E., M.S.
Product Control Section Supervisor
NOA No. 16-0209.15
Expiration Date: 03/24/2021
Approval Date: 03/31/2016

Alumina Distribution Center

NOTICE OF ACCEPTANCE: EVIDENCE SUBMITTED

4. NEW EVIDENCE SUBMITTED

A. DRAWINGS

1. *None.*

B. TESTS

1. *See Association's generic approval under 15-0430.*

C. CALCULATIONS

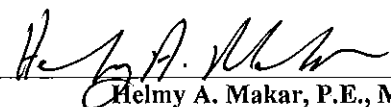
1. *See Association's generic approval under 15-0430.*

D. QUALITY ASSURANCE

1. *By Miami-Dade County Department of Regulatory and Economic Resources.*

E. MATERIAL CERTIFICATIONS

1. *See Association's generic approval under 15-0430.*



Helmy A. Makar, P.E., M.S.
Product Control Section Supervisor
NOA No. 16-0209.15
Expiration Date: 03/24/2021
Approval Date: 03/31/2016

GENERAL NOTES:

- THIS PRODUCT HAS BEEN DESIGNED AND TESTED TO COMPLY WITH THE REQUIREMENTS OF THE HIGH VELOCITY HURRICANE ZONE (HVHZ) OF THE 2014 FLORIDA BUILDING CODE.
- STAINLESS STEEL SHEET METAL SCREWS USED AT LOUVER PIN SHALL BE # 14 x 3", 410-HT MINIMUM SERIES W/ 135.0 ksi YIELD STRENGTH & 180 ksi TENSILE STRENGTH. SCREWS SHALL BE COATED WITH XYLAN 5000 SERIES FLUOROPOLYMER COATINGS AS MANUFACTURED BY WHITFORD Co, BOX 507, WEST CHESTER PA. 19381.
- ALL ALUMINUM EXTRUSIONS SHALL BE 6063-T6 ALLOY WITH MINIMUM YIELD STRENGTH OF $F_y=31.0$ ksi.
- ANCHORS SHALL BE AS LISTED, SPACED AS SHOWN ON DETAILS. ANCHORS EMBEDMENT TO BASE MATERIAL SHALL BE BEYOND WALL DRESSING OR STUCCO.
- ANCHORING OR LOADING CONDITIONS NOT SHOWN IN THESE DETAILS ARE NOT PART OF THIS APPROVAL.
- WOOD BUCKS BY OTHERS MUST BE SOUTHERN PINE, $G = 0.55$ AND MUST BE ANCHORED PROPERLY TO TRANSFER LOADS TO THE STRUCTURE.
- ALL ALUMINUM POP RIVETS TO BE 5052 ALUMINUM ALLOY WITH ALUMINUM MANDREL.
- BOLTS TO BE GALVANIZED OR STAINLESS STEEL WITH 36 ksi MINIMUM MINIMUM YIELD STRENGTH.
- SHUTTER'S COMPONENTS ARE PATENT PENDING.
- IT SHALL BE THE RESPONSIBILITY OF THE CONTRACTOR TO VERIFY THE SOUNDNESS OF THE STRUCTURE WHERE SHUTTER IS TO BE ATTACHED TO INSURE PROPER ANCHORAGE. THIS SHUTTER SHALL ONLY BE ATTACHED TO CONCRETE, BLOCK OR WOOD FRAME BUILDINGS.
- A PERMANENT SHUTTER MANUFACTURER'S LABEL SHALL BE PLACED ON THE EXPOSED SURFACE OF THE FEMALE CENTER MATE BLADE (COMPONENT H). ONE LABEL SHALL BE PLACED FOR EVERY OPENING. LABEL SHALL READ AS FOLLOWS:
 "PERFORMANCE SYSTEM 2 ACCORDION SHUTTER"
 ALUMINA DISTRIBUTION CENTER
 OPA-LOCKA, FLORIDA
 MIAMI-DADE COUNTY PRODUCT CONTROL APPROVED
 TEST REPORT TAS-201, 202 & 203.
- (a) THIS PRODUCT APPROVAL DOCUMENT (P.A.D.) PREPARED BY THIS ENGINEER IS GENERIC.
 (b) CONTRACTOR TO BE RESPONSIBLE FOR THE SELECTION, PURCHASE AND INSTALLATION INCLUDING LIFE SAFETY OF THIS PRODUCT BASED ON THIS PRODUCT APPROVAL PROVIDED HE/SHE DOES NOT DEVIATE FROM THE CONDITIONS DETAILED ON THIS DOCUMENT. CONSTRUCTION SAFETY AT SITE IS THE CONTRACTOR'S RESPONSIBILITY.
 (c) THIS PRODUCT APPROVAL DOCUMENT WILL BE CONSIDERED INVALID IF MODIFIED.
 (d) SITE SPECIFIC PROJECTS SHALL BE PREPARED BY A FLORIDA REGISTERED ENGINEER OR ARCHITECT WHICH WILL BECOME THE ENGINEER OF RECORD (E.O.R.) FOR THE PROJECT AND WHO WILL BE RESPONSIBLE FOR THE PROPER USE OF THE P.A.D. ENGINEER OF RECORD, ACTING AS DELEGATED ENGINEER TO THE P.A.D. ENGINEER, SHALL SUBMIT TO THIS LATTER THE SITE SPECIFIC DRAWINGS FOR REVIEW.
 (e) THIS P.A.D. SHALL BEAR THE DATE AND ORIGINAL SEAL AND SIGNATURE OF THE PROFESSIONAL ENGINEER THAT PREPARED IT.
- ULTIMATE LOAD OBTAINED FROM ASCE 7-10, MULTIPLY BY 0.6 SHALL BE LESS THAN OR EQUAL TO MAX. DESIGN LOAD IN THIS DOCUMENT. THE DESIGN LOADS SHOWN IN THIS DOCUMENT ARE ALLOWABLE DESIGN LOADS.

TYPICAL ANCHORS: (SEE CHARTS FOR ANCHOR SPACING)

TYPE A. 1/4" DIA. ITW TAPCON BY ITW BUILDEX
 $F_u = 120$ KSI, $F_y = 92$ KSI
 INTO CONCRETE ($f'_c=3000$ PSI)
 1-3/4" MIN. EMBED
 2-1/2" MIN. EDGE DISTANCE

TYPE A1. INTO CONCRETE BLOCK
 1-1/4" MIN. EMBED
 2-1/2" MIN. EDGE DISTANCE

TYPE B. 1/4"-20 CALK-IN BY 'POWERS' FASTENERS
 INTO CONCRETE ($f'_c=3000$ PSI)
 7/8" MIN. EMBED
 3" MIN. EDGE DISTANCE

TYPE B1. INTO CONCRETE BLOCK
 7/8" MIN. EMBED
 3" MIN. EDGE DISTANCE

TYPE C. 1/4" CRETE-FLEX SS4 MASONRY ANCHOR BY "ELCO" CONSTRUCTION PRODUCTS
 $F_u = 120$ KSI, $F_y = 92$ KSI
 INTO CONCRETE ($f'_c=3000$ PSI)
 1 3/4" MIN. EMBED
 2 1/2" MIN. EDGE DISTANCE

TYPE C1. INTO CONCRETE BLOCK
 1 1/4" MIN. EMBED
 2 1/2" MIN. EDGE DISTANCE

NOTES:

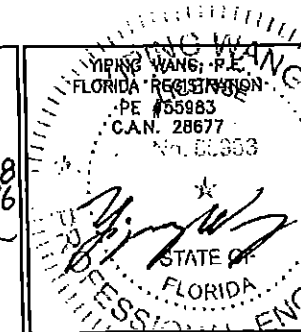
WHEN EDGE DISTANCE EQUAL OR GREATER THAN 2" AND LESS THAN MIN. EDGE DISTANCE SPECIFIED ABOVE THE ANCHOR SPACE IN ANCHOR CHARTS ON THE DRAWINGS MUST MULTIPLY BY FOLLOWING REDUCTION FACTOR:

- ANCHOR TYPE A, & A1: REDUCTION FACTOR = 0.77
- ANCHOR TYPE B & B1: REDUCTION FACTOR = 0.50
- ANCHOR TYPE C & C1: REDUCTION FACTOR = 0.77

PLEASE NOTE THIS INSTALLATION ARE ONLY VALID FOR THE RESULTING ANCHOR SPACE EQUAL OR GREATER THAN 3".

PRODUCT RENEWED
 as complying with the Florida
 Building Code
 Acceptance No 16-0209.15
 Expiration Date 03/24/2021
 By *[Signature]*
 Miami Dade Product Control

PRODUCT REVISED
 as complying with the Florida
 Building Code
 Acceptance No 15-0615.08
 Expiration Date 03/24/2016
 By *[Signature]*
 Miami Dade Product Control



REVISIONS	
NO	DATE
1	02/20/13
2	02/20/13
3	02/20/13

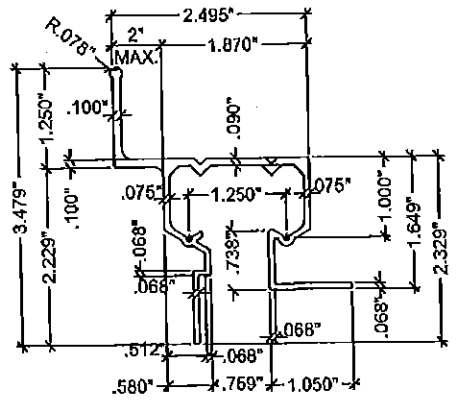
MCY ENGINEERING, INC.
 GLAZING CONSULTANTS

MCY

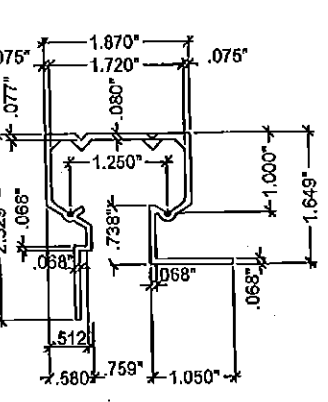
8501 SW 124 AVE. STE 205A P: 305.271.0117
 MIAMI, FL 33183 F: 786.573.5063
 www.MCYEngineering.com MCY.Engineering@Att.net

SYSTEM 2 ALUMINUM ACCORDION SHUTTER
 ALUMINA DISTRIBUTION CENTER (H.P.M.A. #40)
 14475 NW 26 AVE
 OPA-LOCKA, FL, 33054
 Tel: (786) 245 - 6777 Fax: (305) 769 - 9117

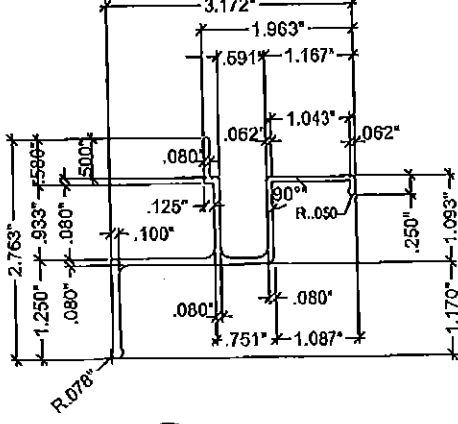
DATE	5-18-10
SCALE	
DRAWN	E. D.
PROJECT	MCY 15-082
DRAWING NO.	AD10-29
1 OF 10	



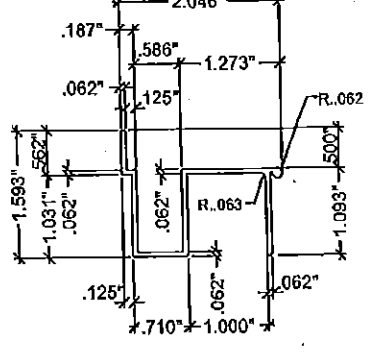
A WALL HEADER (& INVERTED)



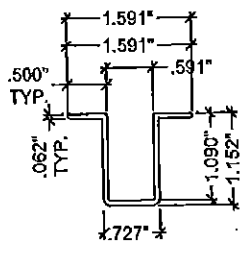
B CEILING HEADER



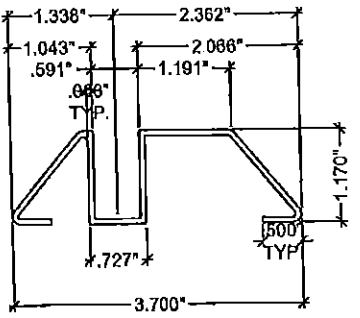
C WALL SILL



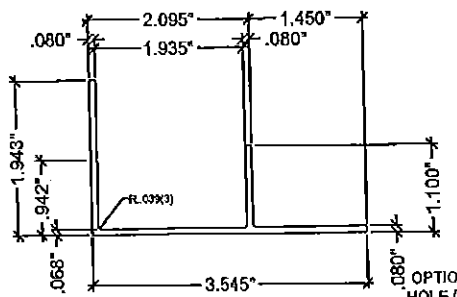
D FLOOR SILL
SCALE: 3/8" = 1"



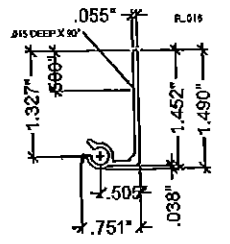
D1 FLOOR SILL
SCALE: 3/8" = 1"



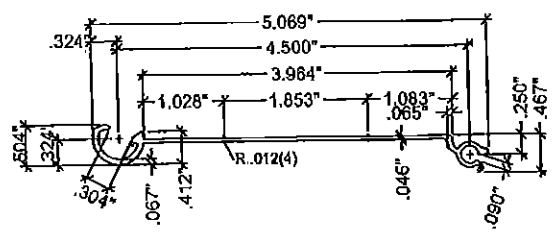
D2 THRESHOLD TRACK



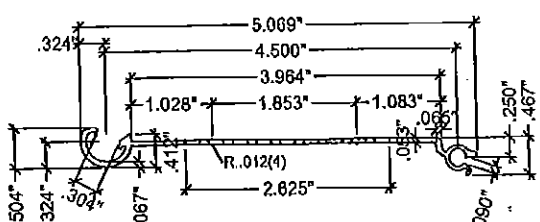
E ADJUSTABLE SILL ADAPTOR



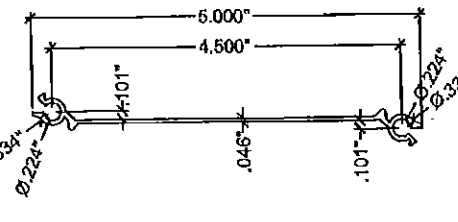
F1 180° MALE STARTER



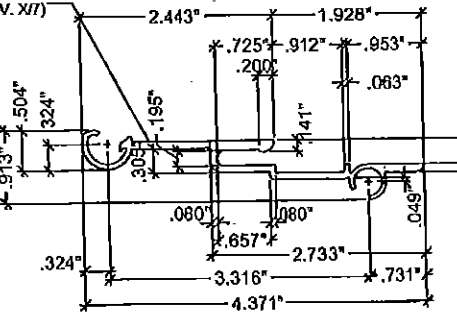
G MALE/FEMALE SOLID BLADE



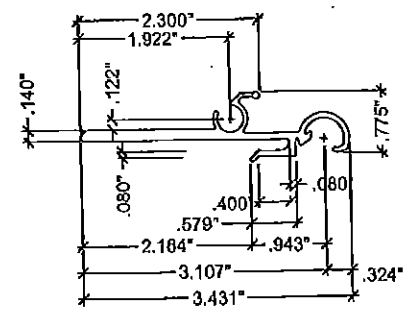
G1 MALE/FEMALE PERFORATED BLADE



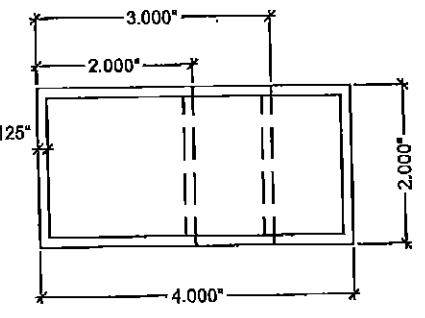
G1 MALE/MALE SOLID BLADE



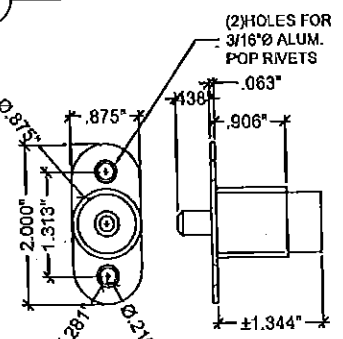
H FEMALE CENTERMATE BLADE
SCALE: 3/8" = 1"



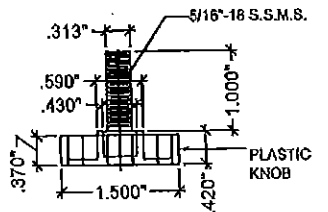
H1 MALE CENTERMATE BLADE
SCALE: 3/8" = 1"



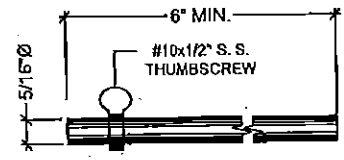
M ALUMINUM TUBES



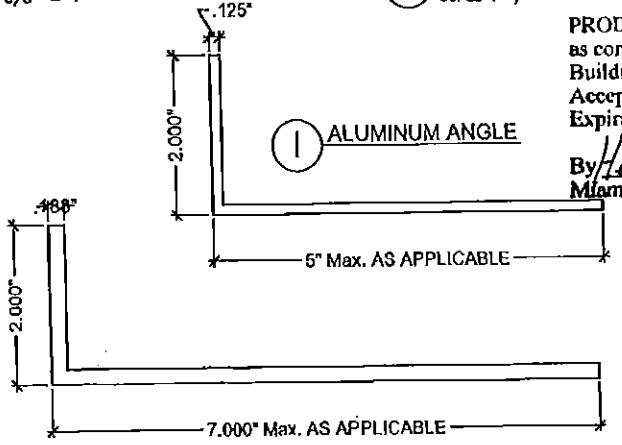
J BRASS NICKEL PLATED
PUSH BUTTON LOCK



J1 5/16" Ø X 1" S.S.M.S.
W/ PLASTIC KNOB LOCK



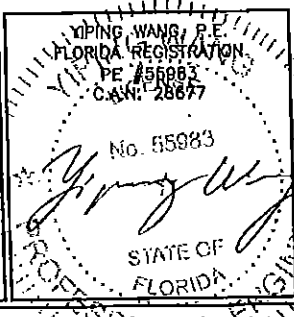
K LOCKING PIN (OPTIONAL)
SCALE: 3/8" = 1"



L ALUMINUM ANGLE

PRODUCT RENEWED
as complying with the Florida
Building Code
Acceptance No 16-0209.15
Expiration Date 03/24/2021
By *Heidi A. Miller*
Miami Dade Product Control

PRODUCT REVISED
as complying with the Florida
Building Code
Acceptance No 15-0615.08
Expiration Date 03/24/2016
By *Heidi A. Miller*
Miami Dade Product Control



COMPONENTS

NO	DATE	DESCRIPTION
1	05/15/10	ISSUED AS PER ICCO COMMENTS
2	05/24/12	UPDATE TO 2010 FBC
3	08/20/15	UPDATE TO 2014 FBC

MCY
MCY ENGINEERING, INC.
GLAZING CONSULTANTS
8501 SW 124 AVE. STE 205A P: 305.271.0117
MIAMI, FL 33138 F: 786.573.5063
www.MCYEngineering.com MCY.Engineering@Att.net

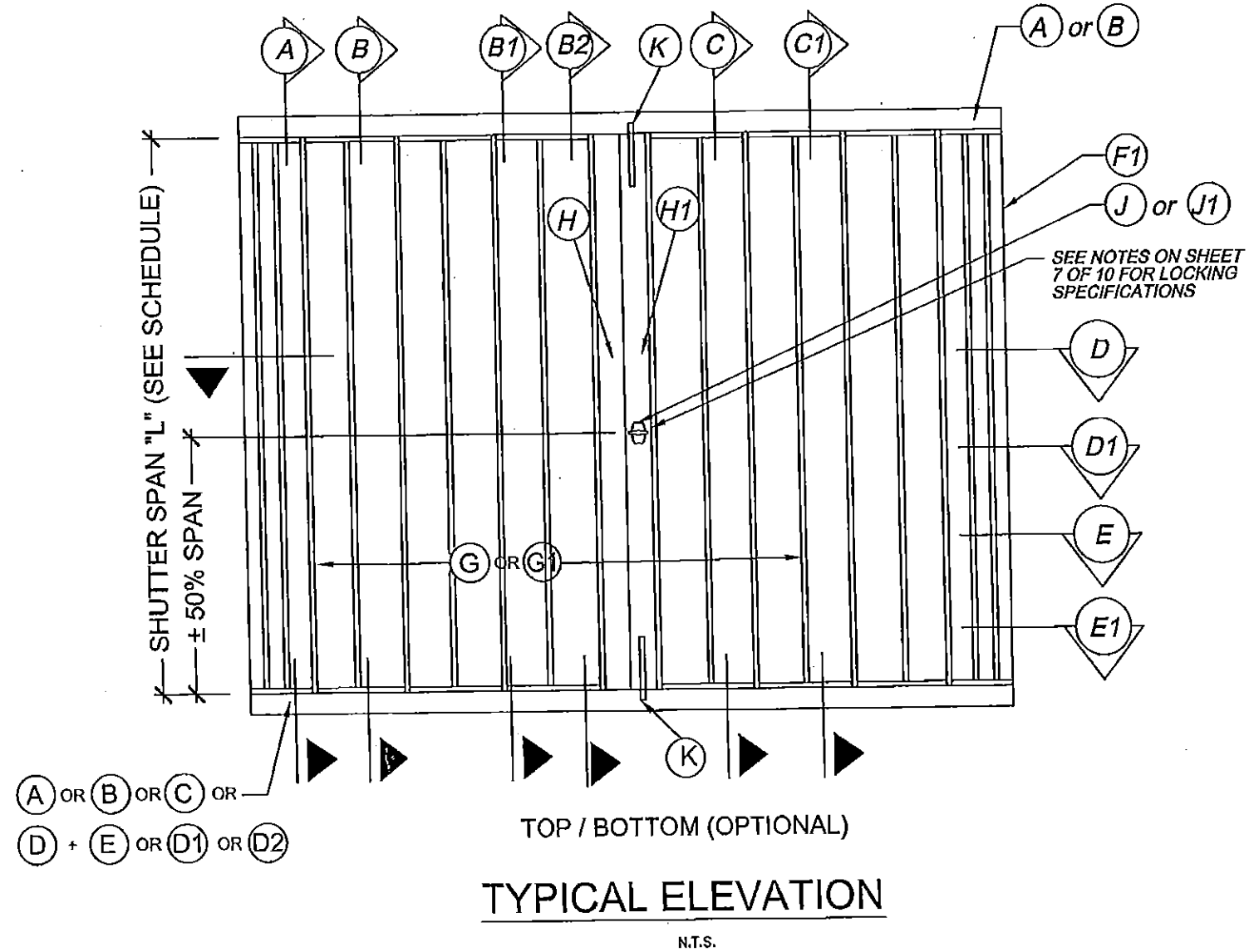
SYSTEM 2 ALUMINUM ACCORDION SHUTTER
ALUMINA DISTRIBUTION CENTER (H.P.M.A. #40)
14475 NW 26 AVE
OPALOCKA, FL 33054
Tel: (786) 245-6777 Fax: (305) 768-9117

DATE	6-15-10
SCALE	
DRAWN	E.D.
PROJECT	MOY 15-082
DRAWING NO.	AD10-29
	2 OF 10

JUN 05 2015

MAXIMUM DESIGN PRESSURE RATING "Pd" (PSF)
AND CORRESPONDING MAXIMUM SPAN "L" SCHEDULE.

MAXIMUM DESIGN LOAD "Pd" (PSF)	MAXIMUM SHUTTER SPAN FOR ALL SECTIONS		MINIMUM SEPARATION TO GLASS (In.) ALL SECTIONS
	Max. PANEL LENGTH L+ (R.)	Max. PANEL LENGTH L- (L.)	
40	13'-2"	14'-1"	3.0
45	12'-9"	14'-1"	3.0
50	12'-5"	14'-1"	3.0
55	12'-2"	13'-5"	3.0
60	11'-11"	12'-10"	3.0
65	11'-8"	12'-4"	3.0
70	11'-5"	11'-11"	3.0
75	11'-3"	11'-6"	3.0
80	11'-1"	11'-2"	3.0
85	10'-10"	10'-10"	3.0
90	10'-6"	10'-6"	3.0
95	10'-3"	10'-3"	2.875
100	10'	10'	2.875
105	9'-9"	9'-9"	2.625
110	9'-6"	9'-6"	2.5
115	9'-4"	9'-4"	2.5
120	9'-1"	9'-1"	2.5
125	8'-10"	8'-10"	2.5
130	8'-6"	8'-6"	2.375
135	-	8'-2"	2.375
140	-	7'-11"	2.375
145	-	7'-7"	2.375
150	-	7'-4"	2.375
155	-	7'-2"	2.375
160	-	6'-11"	2.375
165	-	6'-8"	2.375
170	-	6'-6"	2.375
175	-	6'-4"	2.375
180	-	6'-2"	2.375
185	-	6'	2.375
190	-	5'-10"	2.375
195	-	5'-8"	2.375



INSTRUCTION:

STEP 1 DETERMINE DESIGN WIND LOAD REQUIREMENT BASED ON VELOCITY, BUILDING HEIGHT, WIND ZONE USING APPLICABLY ASCE 7 STANDARD.

STEP 2 CHECK SHUTTER CAPACITY FOR A GIVEN SHUTTER SPAN USING CHARTS ON SHEET 3. MAX. DESIGN LOAD FROM CHART HAS TO BE GREATER THAN DESIGN WIND LOAD FROM STEP 1.

STEP 3 USING CHARTS ON SHEET 4 THRU SHEET 10 SELECT ANCHOR TYPE AND SPACING BASED ON DESIGN LOAD AND SHUTTER SPAN FOR THE ANCHOR DETAIL USED.

PRODUCT RENEWED
as complying with the Florida
Building Code
Acceptance No 16-0209.15
Expiration Date 03/24/2021
By *[Signature]*
Miami Dade Product Control

PRODUCT REVISED
as complying with the Florida
Building Code
Acceptance No 15-0615.08
Expiration Date 03/24/2016
By *[Signature]*
Miami Dade Product Control

YIPING WANG, P.E.
FLORIDA REGISTRATION
PE #55983
CAN. #28677

MIAMI DADE COUNTY

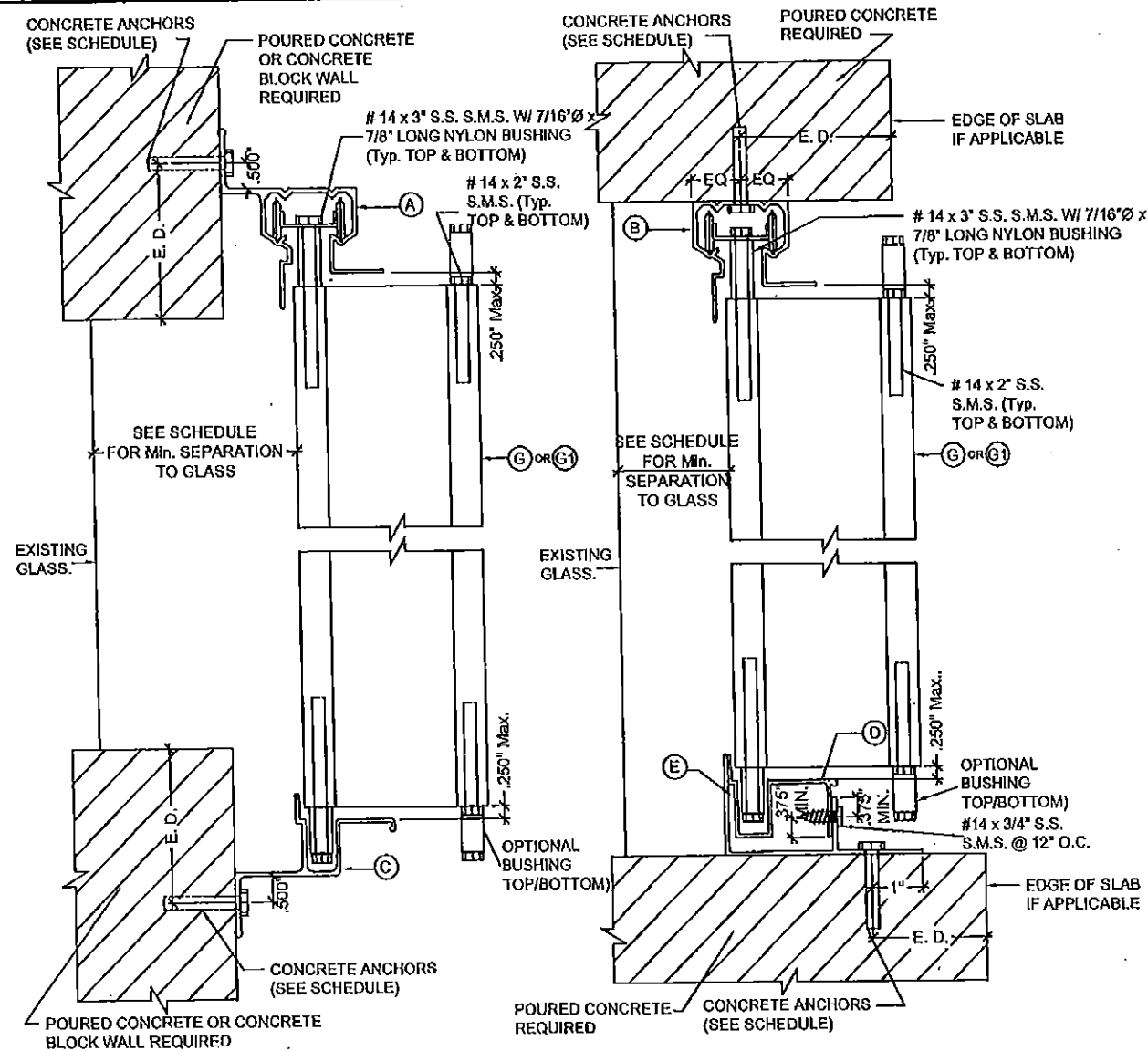
NO.	DATE	DESCRIPTION
1	03/24/12	ISSUED AS PER ACCO COMMENTS
2	03/24/12	UPDATE TO 2010 FBC
3	03/20/15	UPDATE TO 2014 FBC

MCY
MCY ENGINEERING, INC.
GLAZING CONSULTANTS
8501 SW 124 AVE, STE 205A
MIAMI, FL 33183
P: 305.271.0117
F: 786.573.5063
www.MCYEngineering.com
MCY.Engineering@att.net

SYSTEM 2 ALUMINUM ACCORDION SHUTTER
ALUMINA DISTRIBUTION CENTER (H.P.M.A. #40)
14475 NW 26 AVE
OPA-LOCCA, FL 33054
Tel: (786) 245-6777 Fax: (805) 769-9117

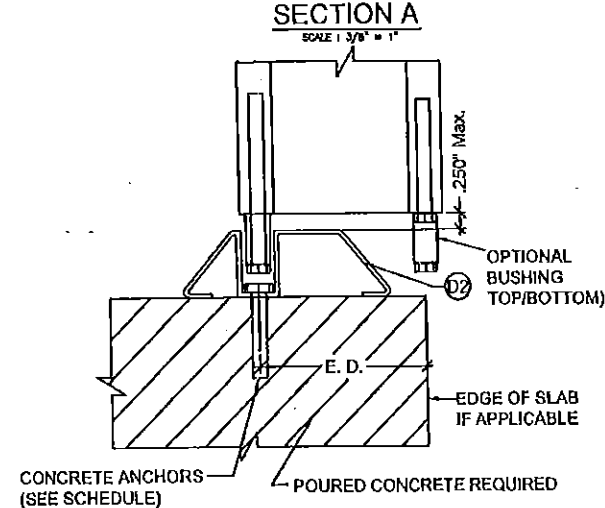
DATE	5-15-10
SCALE	
DRAWN	M.D.
PROJECT	MCY 15-088
DRAWING NO.	AD10-29
3 OF 10	

PROFESSIONAL ENGINEER
JUN 05 2015

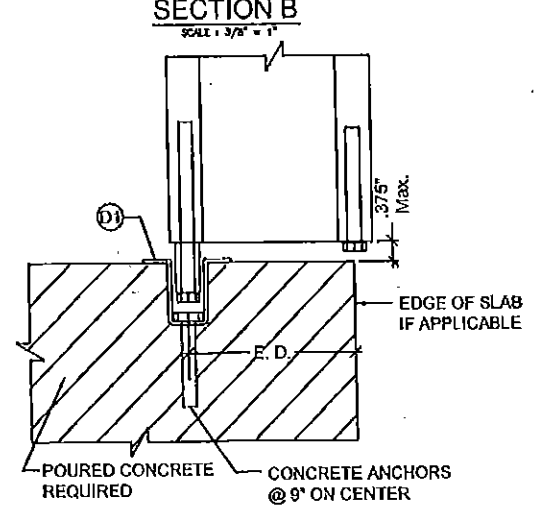


WALL MOUNTING INSTALLATION SECTION A

CEILING & FLOOR MOUNTING INSTALLATION SECTION B



FLOOR MOUNTING INSTALLATION SECTION B1



FLOOR MOUNTING INSTALLATION SECTION B2

MAXIMUM DESIGN PRESSURE RATING "Pd" (PSF) AND CORRESPONDING MAXIMUM ANCHOR SPACING (in.) SCHEDULE. †

MAXIMUM DESIGN LOAD "Pd" (PSF)	SHUTTER SPAN (in.)	SECTION A (TOP/BOTTOM)					SECTION B (TOP/BOTTOM) B1 (BOTTOM)		
		SUBSTRATE CONCRETE			SUBSTRATE BLOCK		SUBSTRATE CONCRETE		
		ANCHOR TYPE A	ANCHOR TYPE B	ANCHOR TYPE C	ANCHOR TYPE B1	ANCHOR TYPE C1	ANCHOR TYPE A	ANCHOR TYPE B	ANCHOR TYPE C
60	60"	9	9	9	4	4.6	6	6	6
	78	9	9	9	3	3.5	6	6	6
	96	8	7.5	8	-	-	6	6	6
	120"	6	6	6.5	-	-	6	6	6
	144"	5	5	5.5	-	-	6	6	6
65	60"	9	9	9	3.5	4.2	6	6	6
	78	9	8.5	9	-	3.2	6	6	6
	96	7	7	7.5	-	-	6	6	6
	120"	5.5	5.5	6	-	-	6	6	6
70	60"	9	9	9	3.5	3.9	6	6	6
	78	8	8	8.5	-	3	6	6	6
	96	6.5	6.5	7	-	-	6	6	6
	120"	5.5	5	5.5	-	-	6	6	6
80	60"	9	9	9	3	3.4	6	6	6
	78	7	7	7.5	-	-	6	6	6
	96	6	5.5	6	-	-	6	6	6
	120"	4.5	4.5	5	-	-	6	6	6
100	60"	7.5	7.5	8	-	-	6	6	6
	78	5.5	5.5	6	-	-	6	6	6
	96	4.5	4.5	5	-	-	6	6	6
	120"	3.5	3.5	4	-	-	5	4.5	6
195	60"	3.5	3.5	4	-	-	5	4.5	6
	66"	3.5	3	3.5	-	-	4.5	4	5.5

NOTE: FOR LIGHT DUTY SHUTTER ON SHEET 9, MAX. SPACING SHOULD BE LIMITED TO 6" O.C.

PRODUCT RENEWED as complying with the Florida Building Code Acceptance No 16-0209.15 Expiration Date 03/24/2021

By *Healy A. Miller* Miami Dade Product Control

PRODUCT REVISED as complying with the Florida Building Code Acceptance No 15-0615.08 Expiration Date 03/24/2016

By *Healy A. Miller* Miami Dade Product Control

MIAMI DADE COUNTY

YIPING WANG S.P.E. FLORIDA REGISTRATION PE #55983 C.A. No. 286773

Professional Engineer

REVISIONS

NO.	DATE	DESCRIPTION
1	08/05/10	AS PER RCCO COMMENTS
2	02/28/12	UPDATE TO 2010 IBC
3	02/28/15	UPDATE TO 2014 IBC

MCY ENGINEERING, INC. GLAZING CONSULTANTS

8501 SW 124 AVE. STE 205A P: 305.271.0117 MIAMI, FL 33163 F: 786.578.5063

www.MCYEngineering.com MCY.Engineering@att.net

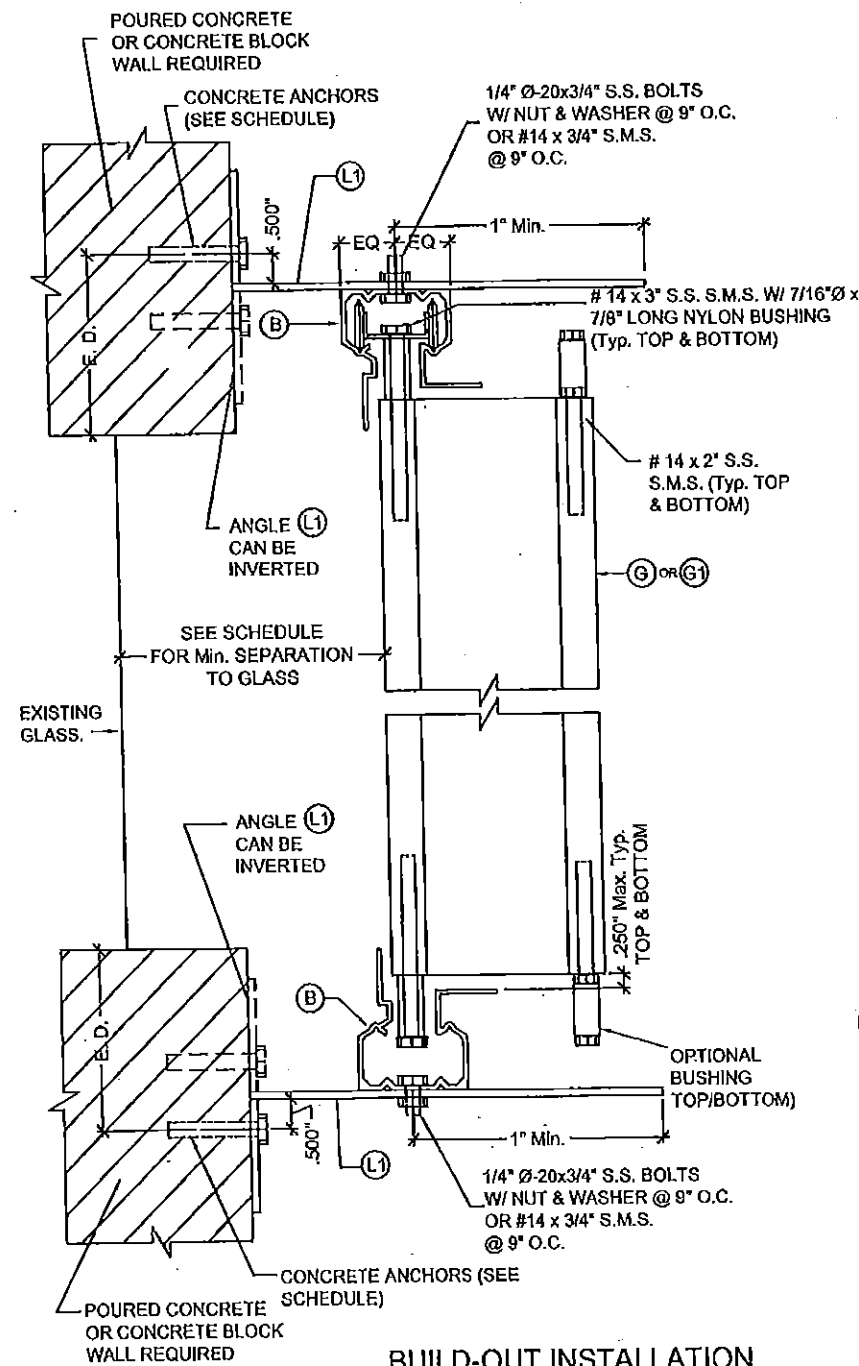
SYSTEM 2 ALUMINUM ACCORDION SHUTTER

ALUMINA DISTRIBUTION CENTER (H.P.M.A. #40) 14475 NW 26 AVE OPA-LOCKA, FL, 33054 Tel: (786) 245-6777 Fax: (305) 769-9117

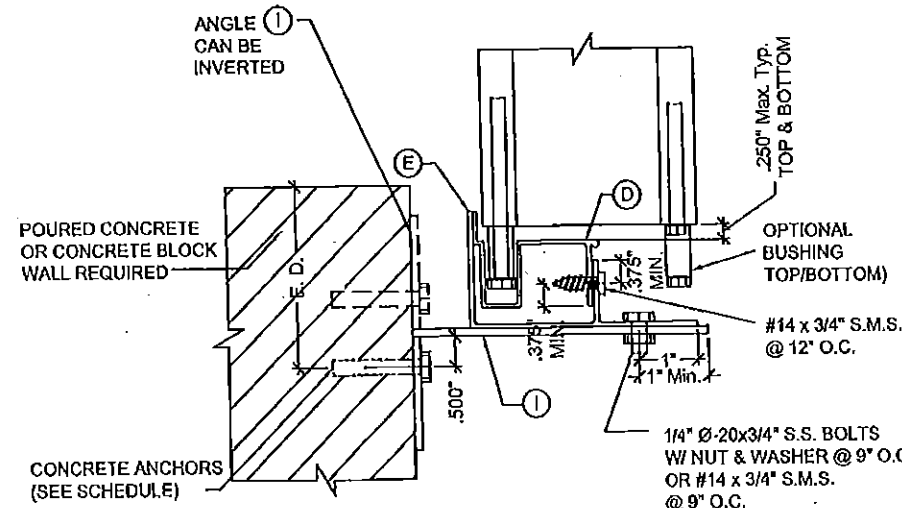
DATE	6-13-10
SCALE	
DRAWN	E.D.
CHECKED	MCY 18-082
DRAWING NO.	AD10-29
4 OF 10	

MAXIMUM DESIGN PRESSURE RATING "Pd" (PSF) AND CORRESPONDING
MAXIMUM ANCHOR SPACING (in.) SCHEDULE +

MAXIMUM DESIGN LOAD "Pd" (PSF)	SHUTTER SPAN (INCH)	SECTION C TOP/BOTTOM						SECTION C1 BOTTOM					
		SUBSTRATE CONCRETE			SUBSTRATE BLOCK			SUBSTRATE CONCRETE			SUBSTRATE BLOCK		
		ANCHOR TYPE A	ANCHOR TYPE B	ANCHOR TYPE C	ANCHOR TYPE A1	ANCHOR TYPE B1	ANCHOR TYPE C1	ANCHOR TYPE A	ANCHOR TYPE B	ANCHOR TYPE C	ANCHOR TYPE A1	ANCHOR TYPE B1	ANCHOR TYPE C1
60	60"	6	6	6	4	5.5	8.1	6	6	6	4	6	8.1
	78"	6	6	6	3	4.5	6.3	6	6	6	3	4.5	6.3
	96"	6	6	6	-	3.5	5.1	6	6	6	-	4	5.1
	120"	6	6	6	-	-	4.1	6	6	6	-	3	4.1
	144"	6	6	6	-	-	3.4	6	6	6	-	-	3.4
	154"	6	6	6	-	-	3.2	6	6	6	-	-	3.2
65	60"	6	6	6	3.7	5	7.5	6	6	6	3.7	5.5	7.5
	78"	6	6	6	-	4	5.8	6	6	6	-	4.5	5.8
	96"	6	6	6	-	3	4.7	6	6	6	-	3.5	4.7
	120"	6	6	6	-	-	3.8	6	6	6	-	-	3.8
70	60"	6	6	6	3.4	5	7	6	6	6	3.4	5.5	7
	78"	6	6	6	-	3.5	5.4	6	6	6	-	4	5.4
	96"	6	6	6	-	3	4.4	6	6	6	-	3	4.4
	120"	6	6	6	-	-	3.5	6	6	6	-	-	3.5
80	60"	6	6	6	-	4	6.1	6	6	6	-	4.5	6.1
	78"	6	6	6	-	3	4.7	6	6	6	-	3.5	4.7
	96"	6	6	6	-	-	3.8	6	6	6	-	3	3.8
	120"	6	6	6	-	-	3.1	6	6	6	-	-	3.1
100	60"	6	6	6	-	3.5	4.9	6	6	6	-	3.5	4.9
	78"	6	6	6	-	-	3.8	6	6	6	-	-	3.8
	96"	6	6	6	-	-	3.1	6	6	6	-	-	3.1
195	60"	5	5	5.5	-	-	-	5	5.5	6	-	-	-
	66"	4.5	4.5	5	-	-	-	5	5	5.5	-	-	-



BUILD-OUT INSTALLATION
SECTION C



BUILD-OUT INSTALLATION
SECTION C1

PRODUCT RENEWED
as complying with the Florida
Building Code
Acceptance No 16-0209.15
Expiration Date 03/24/2021
By *Heidi A. Miller*
Miami Dade Product Control

PRODUCT REVISED
as complying with the Florida
Building Code
Acceptance No 15-0615.08
Expiration Date 03/24/2016
By *Heidi A. Miller*
Miami Dade Product Control

YIPING WANG, P.E.
FLORIDA REGISTRATION
PE #65983
C.A.N. 28677
No. 55583
STATE OF
FLORIDA

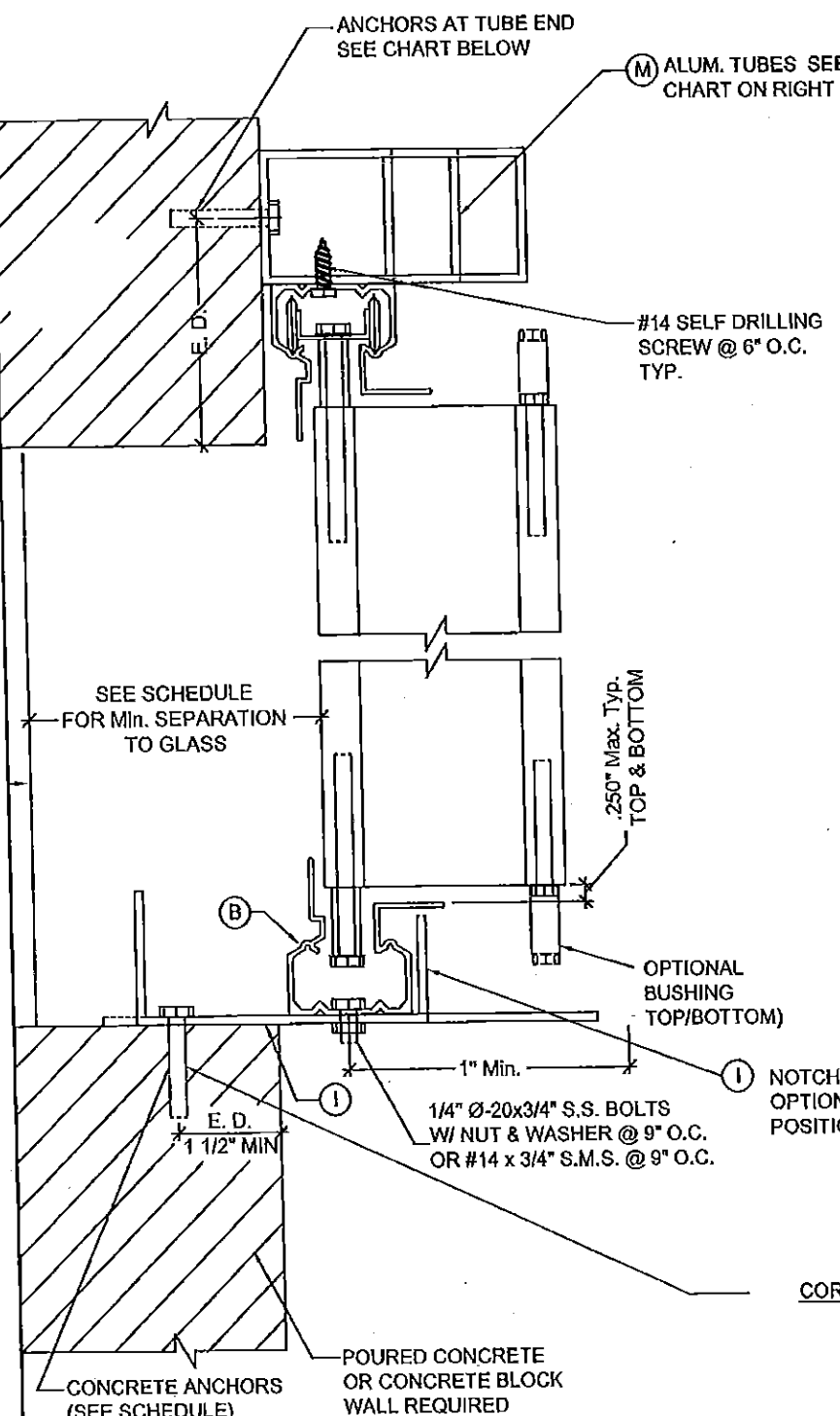
NO.	DATE	DESCRIPTION
1		ISSUED AS PER IBC COMMENTS
2		DESIGN UPDATE TO 2010 IBC
3		DESIGN UPDATE TO 2014 IBC

MCY
MCY ENGINEERING, INC.
GLAZING CONSULTANTS
8501 SW 124 AVE. STE 205A P. 305.271.0117
MIAMI, FL 33183 F. 786.573.5063
www.MCYEngineering.com MCY.Engineering@att.net

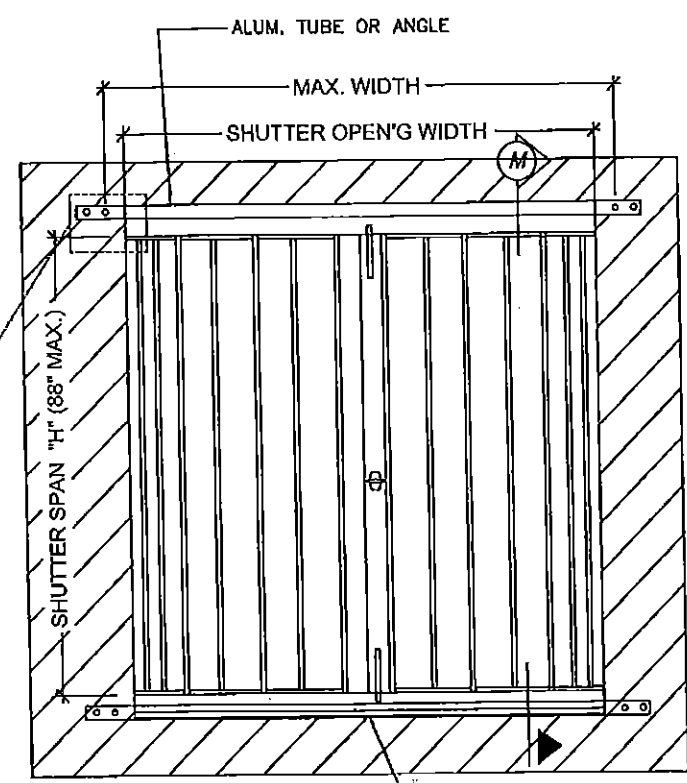
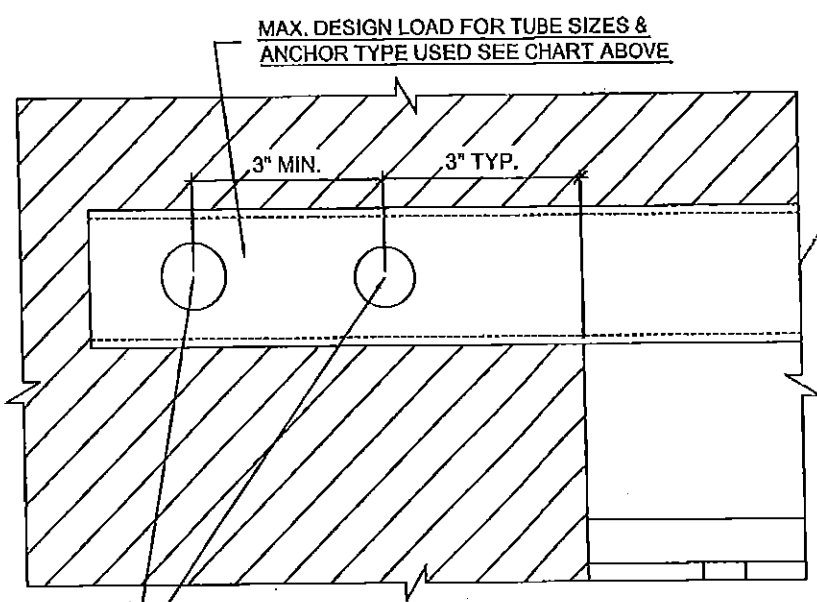
SYSTEM 2 ALUMINUM ACCORDION SHUTTER
ALUMINA DISTRIBUTION CENTER (H.P.M.A. #40)
14475 NW 26 AVE
OPA-LOCKA, FL, 33054
Tel: (786) 245-6777 Fax: (305) 769-9117

DATE	6-18-10
SCALE	
DRAWN	K.R.
PROJECT	MCY 15-082
LIBRATING NO.	AD10-29
5 OF 10	

JUN 05 2015



ALUM. TUBE SIZE	OPEN'G WIDTH	MAX. HEIGHT	DESIGN LOAD (PSF)	
			ANCHOR TYPE "A"	ANCHOR TYPE "C"
2"x2"x1/8"	42"	88"	65	65
2"x3"x1/8"	60"	88"	65	65
	78"	88"	57.3	62
2"x4"x1/8"	78"	84"	60	65
	78"	77"	65	65



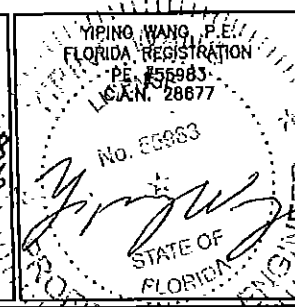
TOP / BOTTOM (OPTIONAL)

MAXIMUM DESIGN PRESSURE RATING "Pd" (PSF) AND CORRESPONDING MAXIMUM ANCHOR SPACING (in.) SCHEDULE. +

MAXIMUM DESIGN LOAD "Pd" (PSF)	SHUTTER SPAN (INCH)	SECTION M BOTTOM SUBSTRATE CONCRETE ANCHOR SPACING (in.)	
		ANCHOR TYPE A	ANCHOR TYPE C
		65	80"
	72"	7	7.5
	84"	6	6.5
	88"	5.5	6

PRODUCT RENEWED as complying with the Florida Building Code Acceptance No 16-0209.15 Expiration Date 03/24/2021
By *Heidi A. Miller* Miami Dade Product Control

PRODUCT REVISED as complying with the Florida Building Code Acceptance No 15-0615.08 Expiration Date 03/24/2016
By *Heidi A. Miller* Miami Dade Product Control



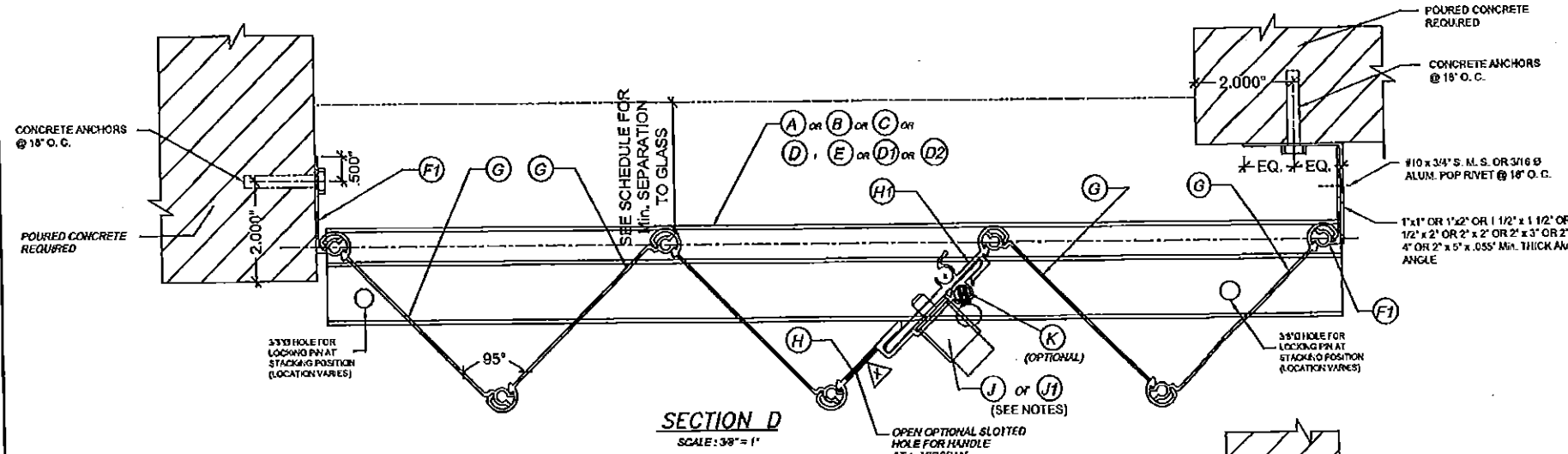
NO.	DATE	DESCRIPTION
1	08/08/10	ISSUE PER RECORD COMMENTS
2	08/28/12	UPDATE TO SHIFRAC
3	08/01/15	UPDATE TO SHIFRAC

MCY
MCY ENGINEERING, INC.
 GLAZING CONSULTANTS
 8501 SW 124 AVE. STE 205A P. 305.271.0117
 MIAMI, FL 33183 F. 786.573.5063
 www.MCYEngineering.com MCY.Engineering@att.net

SYSTEM 2 ALUMINUM ACCORDION SHUTTER
 ALUMINA DISTRIBUTION CENTER (H.P.M.A. #40)
 14475 NW 26 AVE
 OPA-LOCKA, FL, 33054
 Tel: (786) 245 - 6777 Fax: (305) 769 - 9117

DATE	6-18-10
SCALE	
DRAWN	R.D.
PROJECT	MCY 16-082
DRAWING NO.	AD10-29
	8 OF 10

JUN 05 2015



SECTION D
SCALE: 3/8" = 1"

NOTES FOR LOCKING OF (H) & (H1)

1-PUSH BOTTOM LOCK (J) MAY BE USED FOR INSTALLATIONS SECURED FROM THE OUTSIDE OR INSIDE OF SHUTTER. WHEN INSTALLING (J) FROM THE OUTSIDE, A 7/8" Ø HOLE SHALL BE DRILLED AT (H) AND (J) MUST BE RIVETED FROM THE BACK OF (H) TO THE FRONT W/ (2) 3/16" Ø ALUM. POP RIVETS. A 3/8" Ø HOLE MUST THEN BE DRILLED AT (H1) TO ALLOW FOR (J)'S PIN TO PASS THRU. WHEN INSTALLING (J) FROM THE INSIDE, (J) MUST BE RIVETED TO (H1) W/ (2) 3/16" Ø ALUM. POP RIVETS. A 3/8" Ø HOLE MUST THEN BE DRILLED THRU (H) AND (H1) TO ALLOW FOR (J)'S PIN TO PASS THRU.

2-5/16"x1" LOCK (J1) MAY BE USED ALTERNATIVELY TO (J) LOCK FOR INSTALLATIONS SECURED FROM THE OUTSIDE OR INSIDE OF SHUTTER. IN THIS CASE, A 5/16" Ø HOLE SHALL BE DRILLED THRU (H) AND (H1). HOLE DRILLED TO (H1) SHALL BE TAPPED TO ACCEPT 18 THREADS PER INCH MACHINE SCREW.

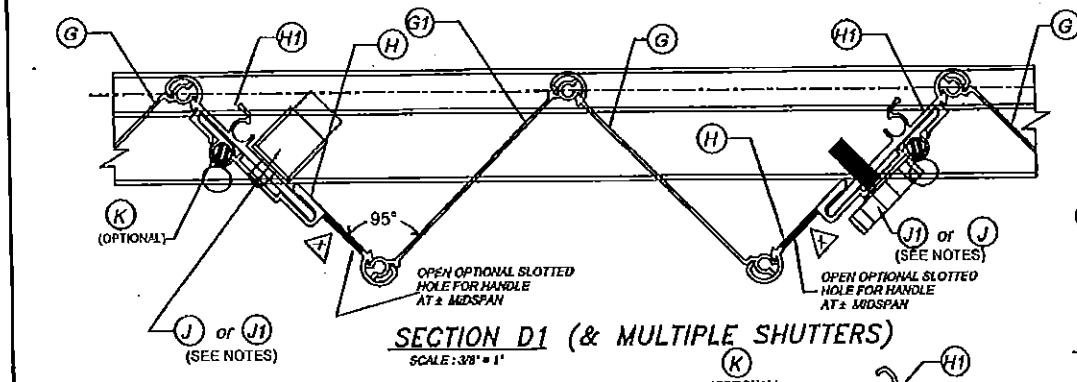
NOTE:
END CONDITIONS SHOWN CAN BE INTERCHANGEABLE.

NO	DATE	DESCRIPTION
1	02/09/12	ISS PER BECD COMMENTS
2	02/28/12	UPDATE TO 2010 PRC
3	02/20/13	UPDATE TO 2014 PRC

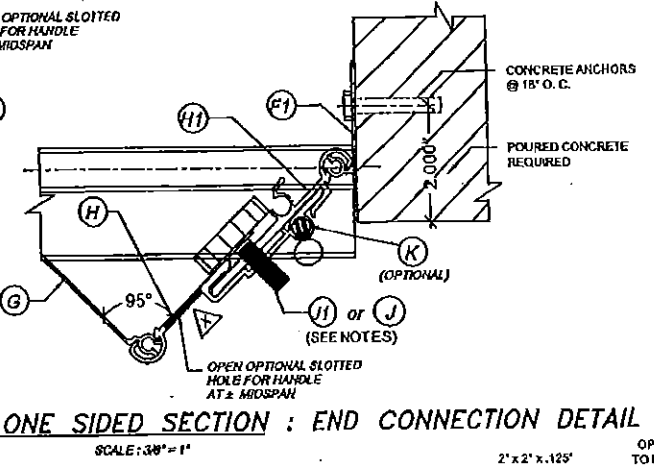
MCY
MCY ENGINEERING, INC.
 GLAZING CONSULTANTS
 8501 SW 124 AVE STE 205A P: 305.271.0117
 MIAMI, FL 33183 F: 786.573.5063
 www.MCYEngineering.com MCY.Engineering@att.net

SYSTEM 2 ALUMINUM ACCORDION SHUTTER
 ALUMINA DISTRIBUTION CENTER (H.P.M.A. #40)
 14475 NW 26 AVE
 OPA-LOCKA, FL, 33054
 Tel: (786) 245-6777 Fax: (305) 769-9117

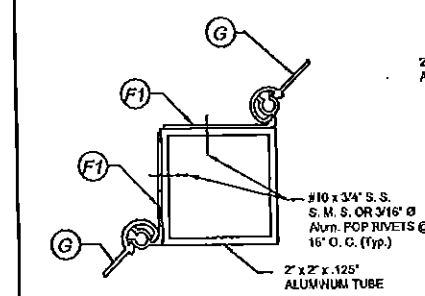
DATE	5-18-10
SCALE	
DRAWN	E.D.
PROJECT	MOY 16-062
DRAWING NO.	AD10-29
	7 OF 10



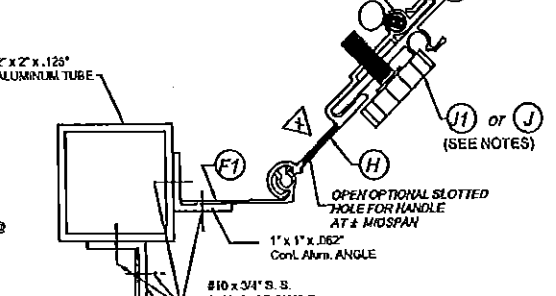
SECTION D1 (& MULTIPLE SHUTTERS)
SCALE: 3/8" = 1"



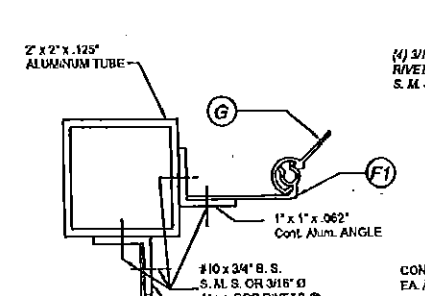
ONE SIDED SECTION: END CONNECTION DETAIL
SCALE: 3/8" = 1"



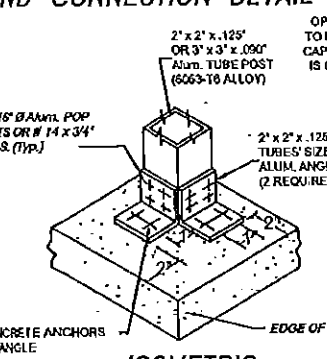
SECTION E
SCALE: 3/8" = 1"



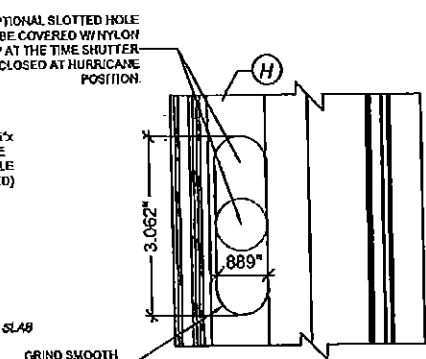
SECTION E1
SCALE: 3/8" = 1"



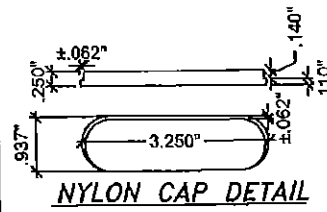
SECTION E2
SCALE: 3/8" = 1"



ISOMETRIC (CORNER POST)
(Typ. AT TOP & BOTTOM SLABS)



ELEVATION X



NYLON CAP DETAIL

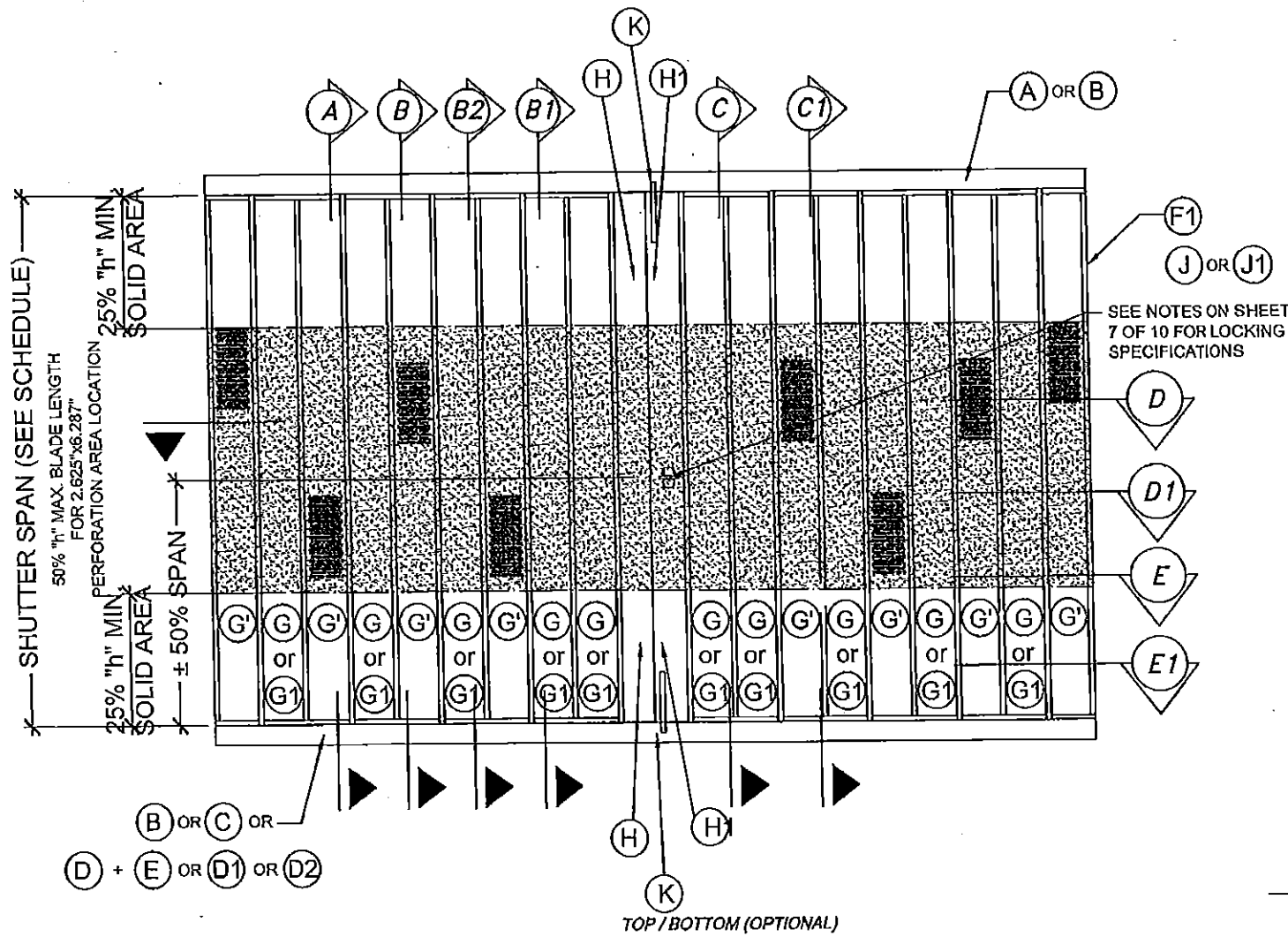
PRODUCT RENEWED as complying with the Florida Building Code
 Acceptance No 16-0209.15
 Expiration Date 03/24/2021
 By *Heby A. Miller*
 Miami Dade Product Control

PRODUCT REVISED as complying with the Florida Building Code
 Acceptance No 15-0615.08
 Expiration Date 03/24/2016
 By *Heby A. Miller*
 Miami Dade Product Control

YIPING WANG, P.E.
 FLORIDA REGISTRATION
 PE #55983
 C.A.N. 28677
 NO. 38677

MIAMI DADE COUNTY

JUN 05 2015



TYPICAL ELEVATION



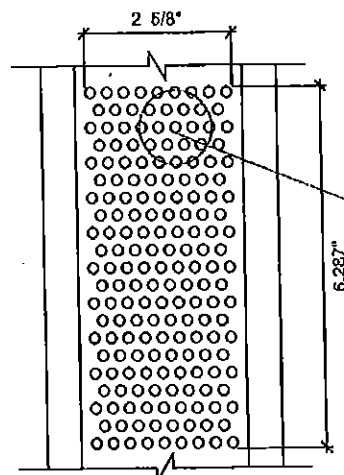
TYPICAL SHUTTER PLAN

GENERAL LIMITATIONS AND CONDITIONS OF USE FOR G OR G1 BLADE ACCORDIAN SHUTTER SYSTEM WORKING IN UNISON WITH G' BLADES.

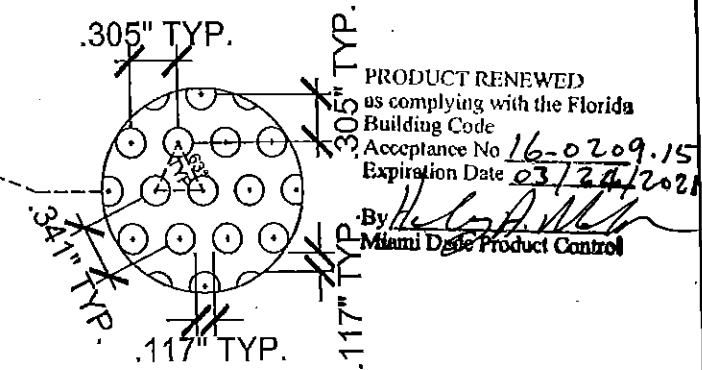
1. MAXIMUM SHUTTER SPAN AND PRESSURE RATING, MAXIMUM ANCHOR SPACING AND MINIMUM SEPARATION TO GLASS FOR G' AND G1 WORKING IN UNISON WITH G AND G1 ARE AS PER SCHEDULES ON SHEET 3, 4, 5 & 9.
2. MAXIMUM PERFORATION AREA AT G', G1 IS ±2.625" x 6.287" AND MUST BE LOCATED WITHIN THE CENTRAL 50% OF THE BLADE SPAN.

PERFORATED BLADES G, G1 MUST BE SOLID AT THE TOP AND BOTTOM 25% OF BLADES SPAN.
3. PERFORATED BLADES G', G1 SHALL BE INSTALLED AT EVERY OTHER BLADE (FREQUENCY).
4. CENTERMATES H, H1 MUST ALWAYS BE ACCOMPANIED BY TWO SOLID BLADES G, G1 AT EITHER SIDE OF EACH CENTERMATE.
5. STARTERS AND CENTERMATES MUST BE ALWAYS SOLID.
6. STARTERS CONNECTION TO EXISTING BUILDING OR TO END/CORNER TUBES MUST BE AS PER DETAILS INDICATED ON SHEET 7.

SECTION S-S THRU G MALE/FEMALE BLADE



TYPICAL G' PERFORATED BLADE ELEVATION



PRODUCT REVISED as complying with the Florida Building Code
Acceptance No 15-0615.08
Expiration Date 03/24/2016
By *[Signature]*
Miami Dade Product Control
MIAMI DADE COUNTY

YIPING WANG
YIPING WANG, P.E.
FLORIDA REGISTRATION
PE #55983
CAN. #29577
No. 533
STATE OF FLORIDA
PROFESSIONAL ENGINEER

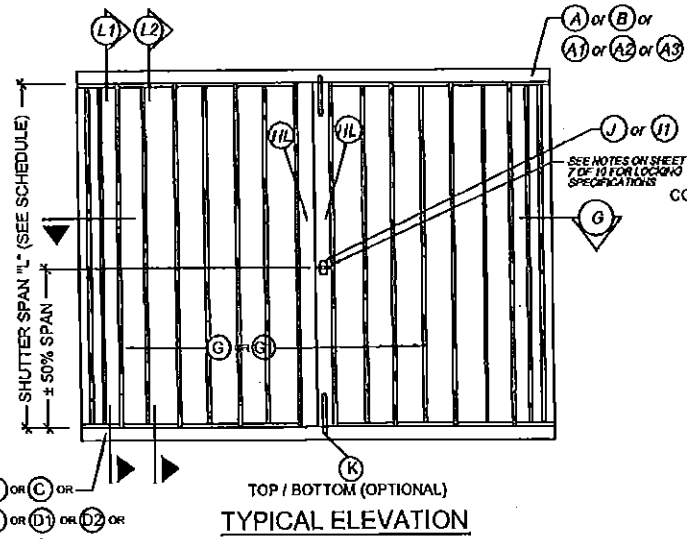
REVISIONS	
NO.	DATE
1	08/28/10 AS PER ICCO COMMENTS
2	08/29/12 UPDATE TO 2010 IBC
3	02/28/15 UPDATE TO 2014 IBC

MCY
MCY ENGINEERING, INC.
 GLAZING CONSULTANTS
 6501 SW 124 AVE. STE 205A P: 305.271.0117
 MIAMI, FL 33183 F: 786.573.5063
 www.MCYEngineering.com MCY.Engineering@Att.net

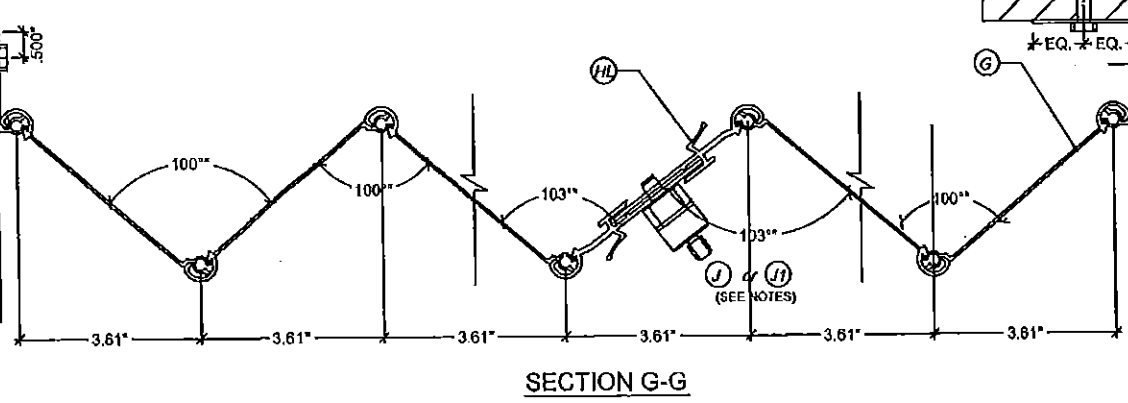
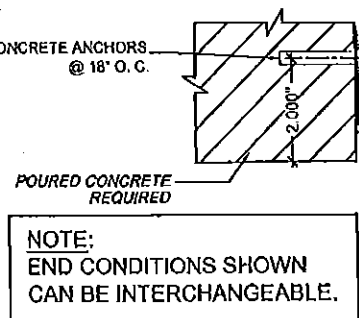
SYSTEM 2 ALUMINUM ACCORDION SHUTTER
 ALUMINA DISTRIBUTION CENTER (H.P.M.A. #40)
 14475 NW 26 AVE
 OPA-LOCKA, FL, 33054
 Tel: (786) 245-6777 Fax (305) 769-9117

DATE	6-13-10
SCALE	
DRAWN	K.D.
PROJECT	MOY 16-08
DRAWING NO.	AD10-29
	8 OF 10

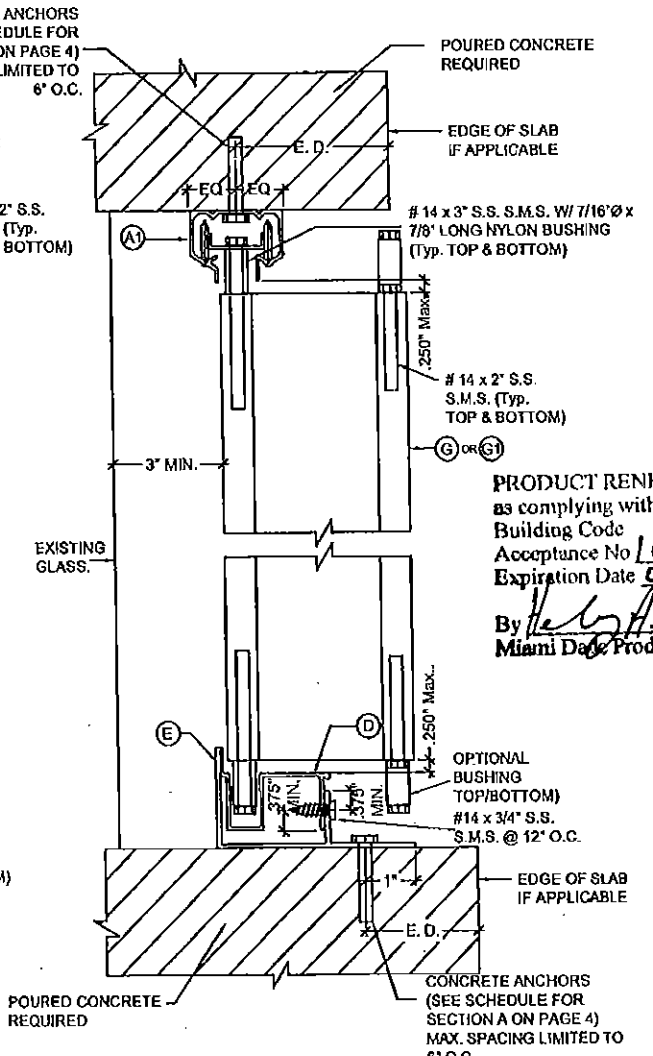
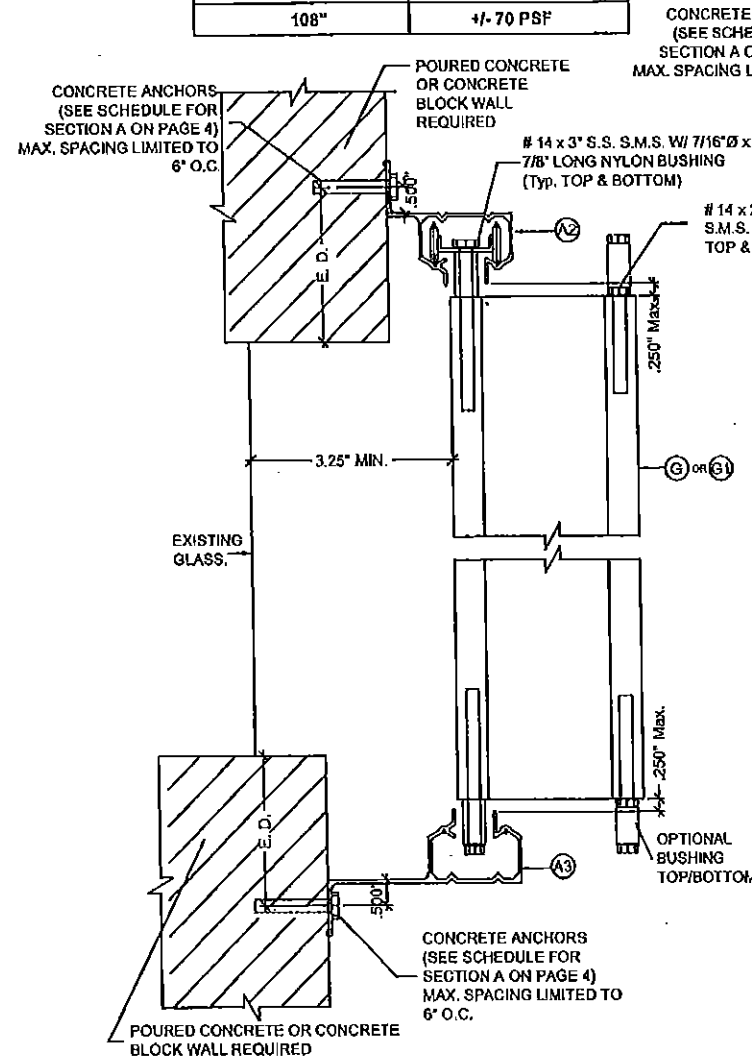
LIGHT DUTY SHUTTER WALL MOUNT, CEILING AND FLOOR INSTALLATIONS W/ A1, A2, A3 TRACKS, CENTERMATE HL & BLADES G, G1



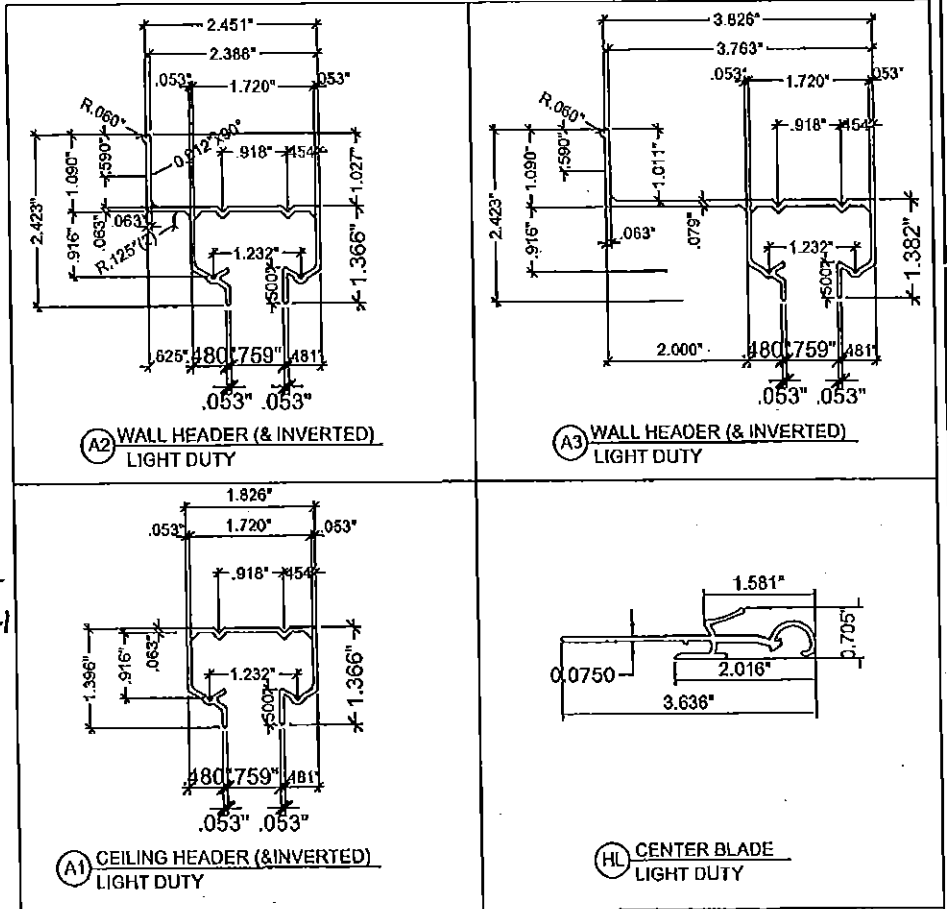
MAX. SHUTTER SPAN "L"	MAX. DESIGN PRESSURE
60"	±1.75 PSF
108"	±1.70 PSF



- (A) OR (B) OR (C) OR
- (D) + (E) OR (I) OR (J) OR
- (A1) OR (A2) OR (A3)

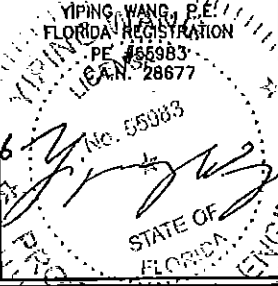


PRODUCT RENEWED
as complying with the Florida
Building Code
Acceptance No 16-0209.15
Expiration Date 03/20/2021
By *[Signature]*
Miami Dade Product Control



NEW SHEET

PRODUCT REVISED
as complying with the Florida
Building Code
Acceptance No 15-0615.08
Expiration Date 03/20/2016
By *[Signature]*
Miami Dade Product Control



NO	DATE	DESCRIPTION
1		ISSUED AS PER BCC COMMENTS
2		ISSUE 12 UPDATE TO SH4 P&C
3		ISSUE 13 UPDATE TO SH4 P&C

MCY ENGINEERING, INC.
GLAZING CONSULTANTS

8501 SW 124 AVE. STE 205A
MIAMI, FL 33183

305.271.0117
786.573.5063

www.MCYEngineering.com
MCY.Engineering@Att.net

SYSTEM 2 ALUMINUM ACCORDION SHUTTER

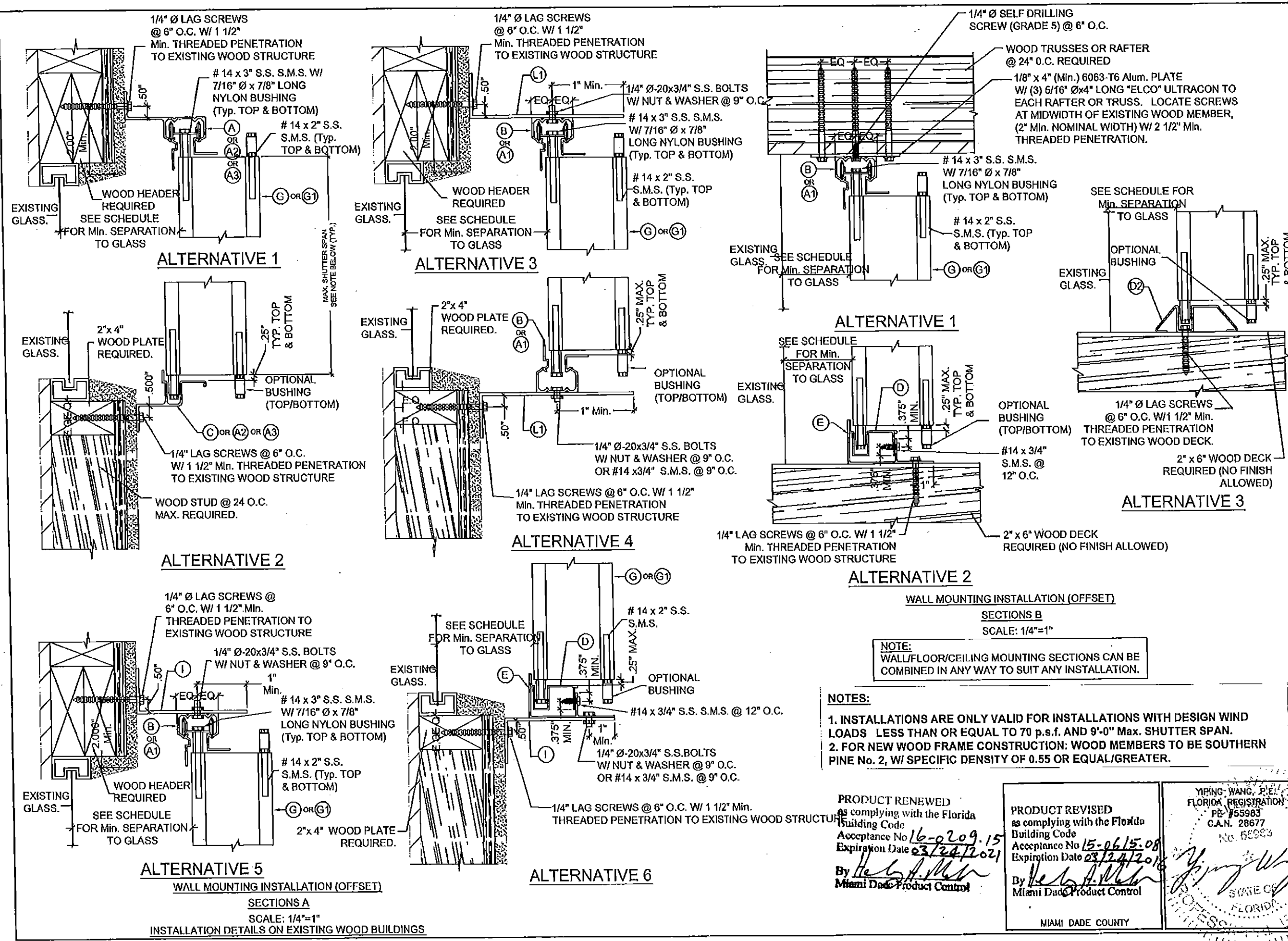
ALUMINA DISTRIBUTION CENTER (H.P.M.A. #40)

14475 NW 26 AVE
OPA-LOCKA, FL, 33054

Tel: (786) 245-6777 Fax: (305) 769-9117

DATE	6-13-10
SCALE	
DRAWN	K.D.
PROJECT	MOY 18-082
DRAWING NO.	AD10-29
	9 OF 10

JUN 08 2015



NOTE:
 WALL/FLOOR/CEILING MOUNTING SECTIONS CAN BE COMBINED IN ANY WAY TO SUIT ANY INSTALLATION.

- NOTES:**
1. INSTALLATIONS ARE ONLY VALID FOR INSTALLATIONS WITH DESIGN WIND LOADS LESS THAN OR EQUAL TO 70 p.s.f. AND 9'-0" Max. SHUTTER SPAN.
 2. FOR NEW WOOD FRAME CONSTRUCTION: WOOD MEMBERS TO BE SOUTHERN PINE No. 2, W/ SPECIFIC DENSITY OF 0.55 OR EQUAL/GREATER.

PRODUCT RENEWED
 as complying with the Florida Building Code
 Acceptance No 16-0209.15
 Expiration Date 03/24/2021
 By *[Signature]*
 Miami Dade Product Control

PRODUCT REVISED
 as complying with the Florida Building Code
 Acceptance No 15-0615.08
 Expiration Date 03/24/2018
 By *[Signature]*
 Miami Dade Product Control

YIPING WANG, P.E.
 FLORIDA REGISTRATION
 PE #55983
 C.A.N. 28677
 No. 60983
 STATE OF FLORIDA
 PROFESSIONAL ENGINEER

NO.	DATE	DESCRIPTION
1	06/09/16	AS PER DISCUSSIONS
2	03/25/12	UPDATE TO 2010 IBC
3	03/20/15	UPDATE TO 2014 IBC

MCY ENGINEERING, INC.
 GLAZING CONSULTANTS
 8501 SW 124 AVE. STE 205A
 MIAMI, FL 33183
 P: 305.271.0117
 F: 786.573.5063
 www.MCYEngineering.com
 MCY.Engineering@Att.net

SYSTEM 2 ALUMINUM ACCORDION SHUTTER
 ALUMINA DISTRIBUTION CENTER (H.P.M.A. #40)
 14475 NW 26 AVE
 OPA-LOCKA, FL, 33054
 Tel: (786) 245-6777
 Fax: (305) 769-9117

DATE	6-19-10
SCALE	
DRAWN	K.D.
PROJECT	MOY 16-008
DRAWING NO.	AD10-29
10 OF 10	

JUN 05 2015